



Project:
Item:
Quantity:

JUMBO 42XL II
VACUUM PACKAGING MACHINE



FEATURES

- Seal bar length: 2x16.5"
- Two seal bars with two wires, for double security
- Seal bars easily removable for cleaning and maintenance purposes
- Pump capacity: 678 cf/h (19 m³/h) Busch vacuum pump
- Pump maintenance and cleaning program
- Machine cycle: 20-45 sec
- Time control: 1-99 sec
- Transparent lid, which opens automatically after every cycle
- Deep drawn vacuum chamber
- Comes with insert plates for a faster cycle and product adjustment
- Stainless steel exterior
- 6ft cord with Nema 5-20P plug
- Standard with service kit

DESCRIPTION

The robust, stainless steel Jumbo 42XL II vacuum packer is standard equipped with a Busch vacuum pump. The machine is ETL listed and complies with UL, CSA and CE standards.

OPTIONS AND ACCESSORIES

- Cut-off/Wide seal
- Inclined insert plate
- Food container adaptor
- Cart with castors and shelf



WARRANTY

Henkelman Inc offers a warranty of 1 year on labor and 3 years on parts. For full warranty details, please refer to www.henkelman.com.

DATE

APPROVAL



FIT FOR FOOD SERVICE
WWW.HENKELMAN.COM

HENKELMAN INC.
493 W Fullerton Ave
Elmhurst IL, 60126

Sales and technical support
P +1 331 979 2013
F +1 630 359 3875
E info@henkelmanusa.com
Service and warranty
P +1 844 208 5685

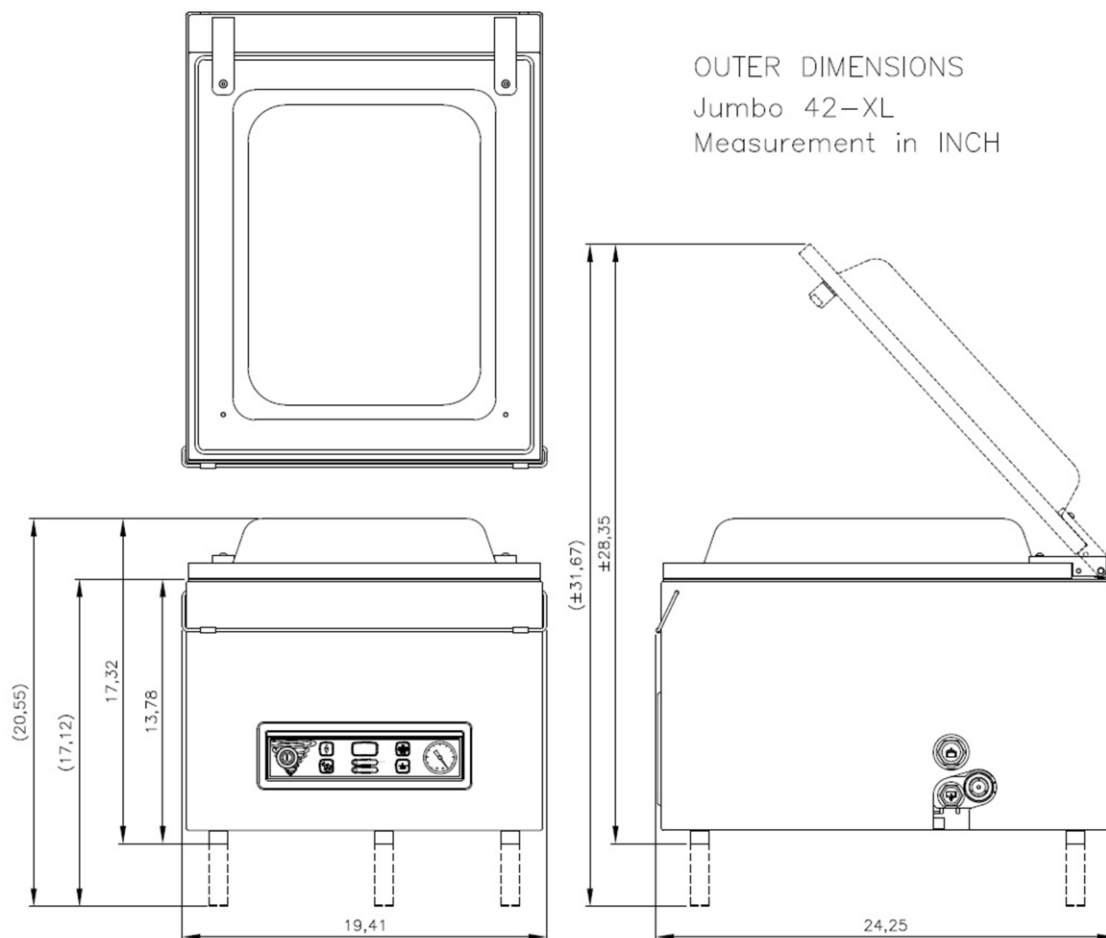
VACUUM PACKAGING MACHINE JUMBO 42XL II - SPEC SHEET

VACUUM PACKING MACHINE JUMBO 42XLII SPECS

VACUUM PACKING MACHINE JUMBO 42XL II - SPEC SHEET

DIMENSIONS

In inches



| Model | Dimensions (IN) | | Volts | Amps | Hz | Pump capacity | HP | Plug | Weight (lbs) |
|---------------|------------------------------|-------------------|----------|------|------|------------------------------------|------|------------|--------------|
| | Chamber (usable space) LxWxH | Machine LxWxH | | | | | | | |
| Jumbo 42XL II | 16"x16.5"x7" | 24.2"x19.4"x17.3" | 110-120V | 16 | 60Hz | 678 cf/h (19 m ³ /h) | 0.74 | NEMA 5-20P | 154 |

NEMA 5-20P



20 A/125 V



FIT FOR FOOD SERVICE
WWW.HENKELMAN.COM

HENKELMAN INC.
493 W Fullerton Ave
Elmhurst IL, 60126

Sales and technical support
P +1 331 979 2013
F +1 630 359 3875
E info@henkelmanusa.com
Service and warranty
P +1 844 208 5685