



M-Packer 104

FEATURES

DESCRIPTION

Maximum Volume Reduction

The Henkelman M-Packer 104 is especially designed for the packaging of banknotes and important or voluminous documents, like archives, architect drawings, bonds, shares. Vacuum packing the pouches provides protection against theft, damage and loss due to handling. It is also an ideal solution for archiving documents to protect from air, dust, water and UV radiance.

Engraving With Cliché For Extra Safety

By giving each pouch a personal identity code, the source of each package can be traced. Also when there has been tampered with the pouch it is easily visible by the increase of air in the pouch. Packaging with the M-Packer takes little time nor effort. The MP 104 meets all demanding safety and quality standards. It is supplied with the CE mark issued by Work Safety Association as evidence of safety testing.

- Standard with 1 seal bar (front): 220 mm
- Seal bar easily removable for cleaning and maintenance purposes
- Pump capacity: 4 m³/h Busch vacuum pump
- Pump maintenance and cleaning program
- Machine cycle: 15-25 sec
- Standard 1 program panel with sensor control
- Full stainless steel construction
- Transparent lid, to check the packing progress
- Easy removable wireless sealing bar
- Supplied with insert plates to speed up vacuum cycle and for correct product adjustment
- Specially designed silicone holder so the cliché can be easily inserted and removed
- Extra wide seal wire to engrave in the bag and cut-off wire to remove the remaining flap
- User friendly and low maintenance



Henkelman offers standard 3 year warranty.



HENKELMAN BV
Titaniumlaan 10
5221 CK 's-Hertogenbosch
The Netherlands

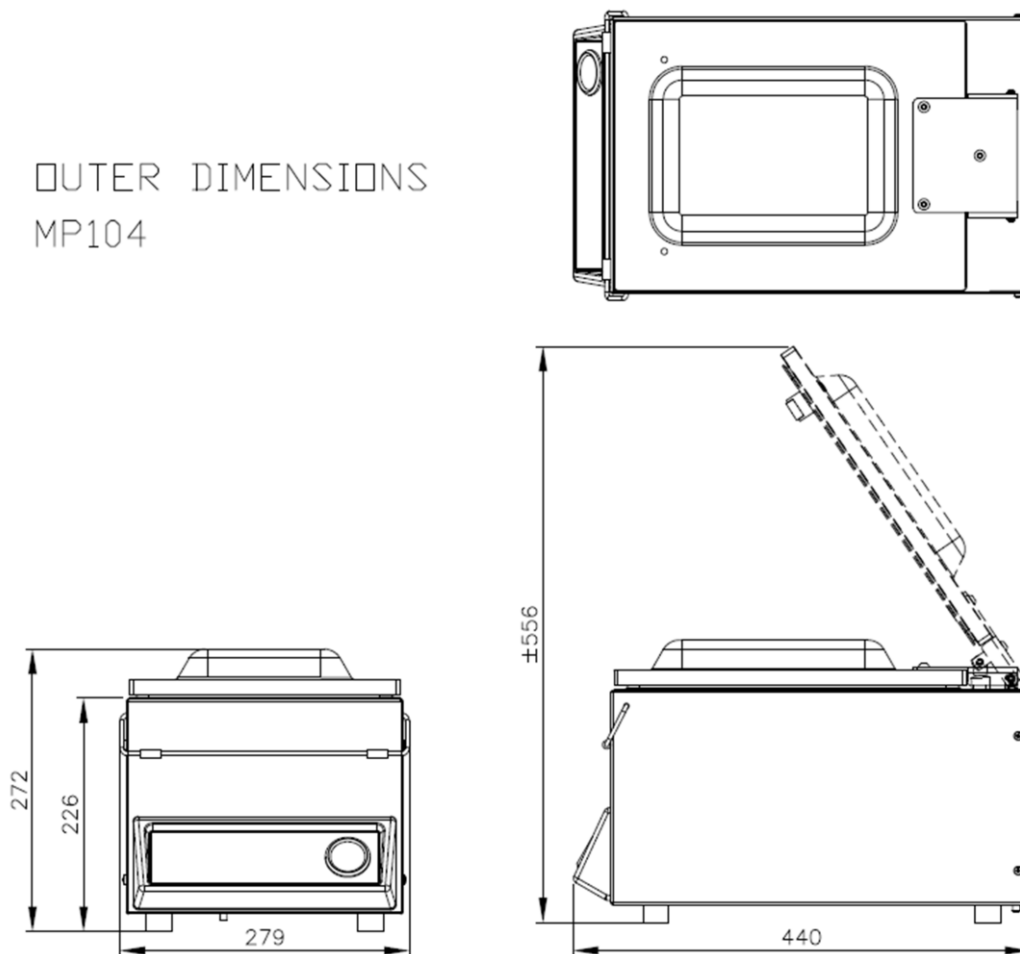
Sales support
P +31 73 621 36 71
E info@henkelman.com
Service/technical support
P +31 73 621 36 71
E service@henkelman.com

M-PACKER MP 104 – SPECS

DIMENSIONS

In mm

OUTER DIMENSIONS
MP104



Model	Dimensions (mm)		Voltage* (Hz)	Pump capacity (m ³ /h)	Power (kW)	Weight (kg)
	Chamber (usable space) L x W x H	Machine L x W x H				
MP 104	260 x 220 x 110	440 x 279 x 272	230V-1-50	4	0,4	20

* Other voltages available



HENKELMAN BV
Titaniumlaan 10
5221 CK 's-Hertogenbosch
The Netherlands

Sales support
P +31 73 621 36 71
E info@henkelman.com
Service/technical support
P +31 73 621 36 71
E service@henkelman.com