



Project:
Item:
Quantity:

**POLAR 2-75 COMBIVAC
DOUBLE CHAMBER
VACUUM PACKING MACHINE**



FEATURES

- Seal bar length: 2 x 24.4" (front-back)
- Standard double seal (seal bars with two wires, for double security)
- Available for free: Cut-off or Wide seal
- Seal bar system mounted in lid and easily removable for cleaning and maintenance purposes
- Pump capacity: 6709 cf/h (190 m³/h) Busch vacuum pump
- Pump maintenance and cleaning program
- Machine cycle: 15-40 sec
- **Standard Advanced Control (CombiVac)** with sensor: max. 99.8% end vacuum
- Soft Air (gentle air return)
- Stainless steel lid and flat working plate
- Comes with insert plates for a faster cycle and product adjustment
- 16ft cord with NEMA 15-50P plug - 50A/250V

OPTIONS AND ACCESSORIES

- External pump
- 1-2 Cut-off seal/Bi-active seal
- Gas flush
- Filler plate for lid/inclined insert plate
- Digital control with 10 program memory and Sensor control
- Liquid Control
- Seal bar configuration with 2 seal bars (left-right) available for free
- Heating element for vacuum valve
- Heavy duty seal bars
- Zebra ZD410 thermal label printer (only available with standard CombiVac control)
- Service kit for standard maintenance

DESCRIPTION

The robust, stainless steel Polar 2-75 double chamber vacuum packaging machine is standard equipped with a Busch vacuum pump. This machine is ETL listed and complies with UL, CSA and CE standards.



WARRANTY

Henkelman Inc offers a warranty of 1 year on labor and 3 years on parts. For full warranty details, please refer to www.henkelman.com.

DATE

APPROVAL



<https://www.henkelman.com/us>

HENKELMAN INC. Sales and technical support
493 W Fullerton Ave P +1 331 979 2013
Elmhurst IL, 60126 F +1 630 359 3875
E info@henkelmanusa.com

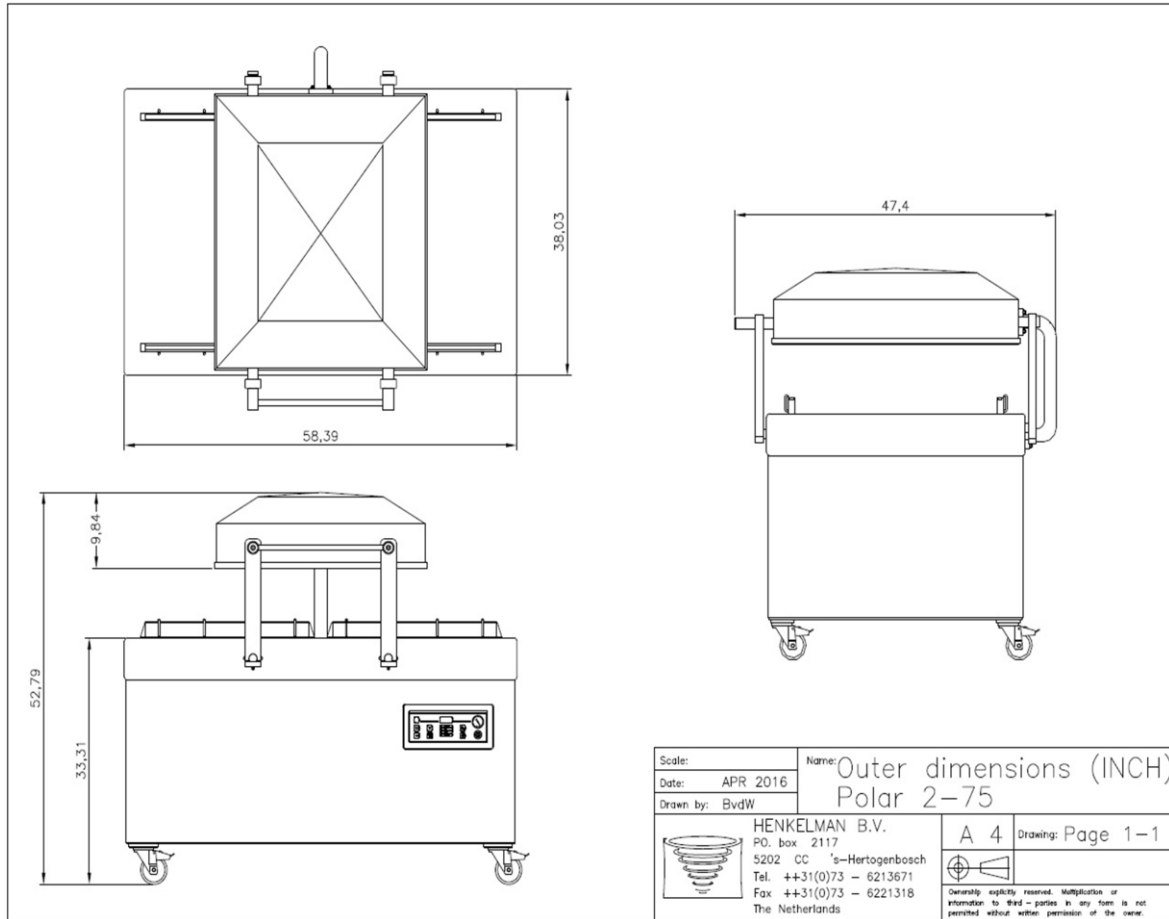
VACUUM PACKAGING MACHINE POLAR 2-75 COMBIVAC - SPEC SHEET

VACUUM PACKAGING MACHINE POLAR 2-75 COMBIVAC – SPECS

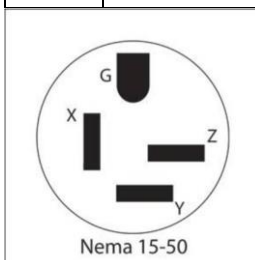
VACUUM PACKAGING MACHINE POLAR 2-75 COMBIVAC – SPEC SHEET

DIMENSIONS

In inches



Model	Dimensions (inches)		Volts	Amps	Hz	Pump capacity	HP	Plug	Weight (lbs)
	Chamber L x W x H (usable space in inch)	Machine L x W x H (in inch)							
Polar 2-75	29.5x24.4x9.8	47.4"x58.39"x52.79"	208-220V	26/26 C*	60Hz	6,709 cf/h (190 m ³ /h)	5.7	NEMA 15-50P 50A/250V	1,183 (190 m ³ /h)



3 pole, 4 wire grounding 3 x 208 Volt

*This is the minimum fuse value with the recommended characteristic



HENKELMAN INC.
493 W Fullerton Ave
Elmhurst IL, 60126

Sales and technical support
P +1 331 979 2013
F +1 630 359 3875
E info@henkelmanusa.com