



Project:  
Item:  
Quantity:

**POLAR 2-85 COMBIVAC**  
**DOUBLE CHAMBER**  
**VACUUM PACK MACHINE**



**FEATURES**

- Seal bar length: 2 x 33.1" (front-back)
- Standard double seal (seal bars with two wires, for double security)
- Available for free: Cut-off or Wide seal
- Seal bar system mounted in lid and easily removable for cleaning purposes
- Standard **Advanced Control (CombiVac)** with Sensor: max. 99.8% end vacuum
- Pump capacity: 12,713 cf/h (360 m<sup>3</sup>/h) Busch vacuum pump
- Pump maintenance and cleaning program
- Machine cycle: 10-30 sec
- Soft Air (gentle air return)
- Stainless steel lid and flat working plate
- With insert plates for a faster cycle
- 16ft cord with Nema 15-50P plug - 50A/250V

**OPTIONS AND ACCESSORIES**

- Automatic lid
- External pump
- 1-2 Cut-off seal/Bi-active seal
- Gas flush
- Filler plate for lid, not with Automatic lid
- Inclined insert plate
- Liquid control
- High lid (12"), not with Automatic lid
- Heating element for vacuum valve
- Preparation for external pump
- Heavy duty seal bars
- Digital control with 10 program memory and Sensor control
- Zebra ZD410 thermal label printer (only icw standard CombiVac control)
- Service kit for standard maintenance

**DESCRIPTION**

The robust, stainless steel Polar 2-85 double chamber vacuum packaging machine is standard equipped with a Busch vacuum pump. This machine is ETL listed and complies with UL, CSA and CE standards.



**WARRANTY**

Henkelman Inc offers a warranty of 1 year on labor and 3 years on parts. For full warranty details, please refer to [www.henkelman.com](http://www.henkelman.com).

DATE APPROVAL



HENKELMAN INC. **Sales and technical support**  
 493 W Fullerton Ave P +1 331 979 2013  
 Elmhurst IL, 60126 F +1 630 359 3875  
 E [info@henkelmanusa.com](mailto:info@henkelmanusa.com)

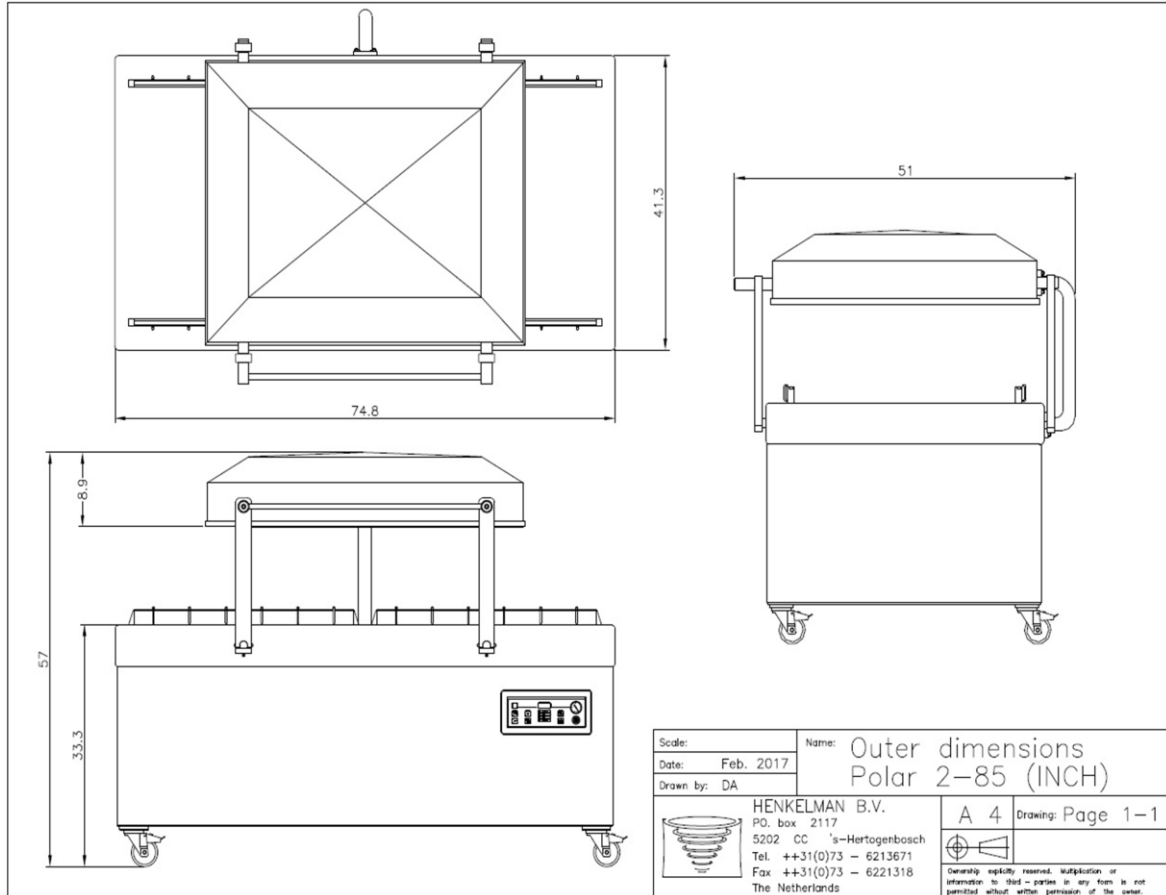
**VACUUM PACKAGING MACHINE POLAR 2-85 COMBIVAC - SPEC SHEET**

# VACUUM PACKAGING MACHINE POLAR 2-85 COMBIVAC – SPECS

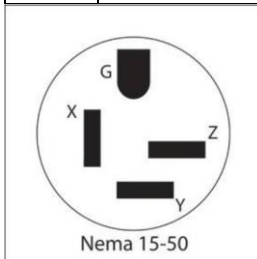
VACUUM PACKAGING MACHINE POLAR 2-85 COMBIVAC – SPEC SHEET

## DIMENSIONS

In inches



Model	Dimensions (inches)		Volts	Amps	Hz	Pump capacity	HP	Plug	Weight (lbs)
	Chamber L x W x H (usable space in inch)	Machine L x W x H (in inch)							
Polar 2-85	32.7 x 33.1 x 10	51 x 74.8 x 57	208-220V	37/ 44 C*	60Hz	12,713 cf/h (360 m <sup>3</sup> /h)	8.9	NEMA 15-50P 50A/250V	1,510 (360 m <sup>3</sup> /h)



3 pole, 4 wire grounding 3 x 208 Volt

\*This is the minimum fuse value with the recommended characteristic

 ORIGINAL  
**HENKELMAN**  
VACUUM SYSTEMS  
<https://www.henkelman.com/us>

HENKELMAN INC. Sales and technical support  
493 W Fullerton Ave P +1 331 979 2013  
Elmhurst IL, 60126 F +1 630 359 3875  
E [info@henkelmanusa.com](mailto:info@henkelmanusa.com)