



Project:
Item:
Quantity:

CART
FOR USE WITH TABLE-TOP MODELS



FEATURES

- Dimensions (l x w x h)
23.8" x 18.9" x 26.5"
- Weight 38 lbs
- Full stainless steel
- Swivelling castors with brakes
- Extended mobility
- Shelves to store printer, labels, pouches and other accessories
- Optimal use of space

DESCRIPTION

The universal cart is suitable for all Henkelman table-top models, except the Boxer 52 II. It is ideal to increase the mobility of the machine, to store a printer, accessories, labels and bags and use your space optimally.



WARRANTY

Henkelman Inc offers a warranty of 1 year on labor and 3 years on parts. For full warranty details, please refer to www.henkelman.com.

DATE

APPROVAL



FIT FOR FOOD SERVICE
WWW.HENKELMAN.COM

HENKELMAN INC.
493 W Fullerton Ave
Elmhurst IL, 60126

Sales and technical support
P +1 331 979 2013
F +1 630 359 3875
E info@henkelmanusa.com
Service and warranty
P +1 844 208 5685

CART WITH CASTORS - SPEC SHEET

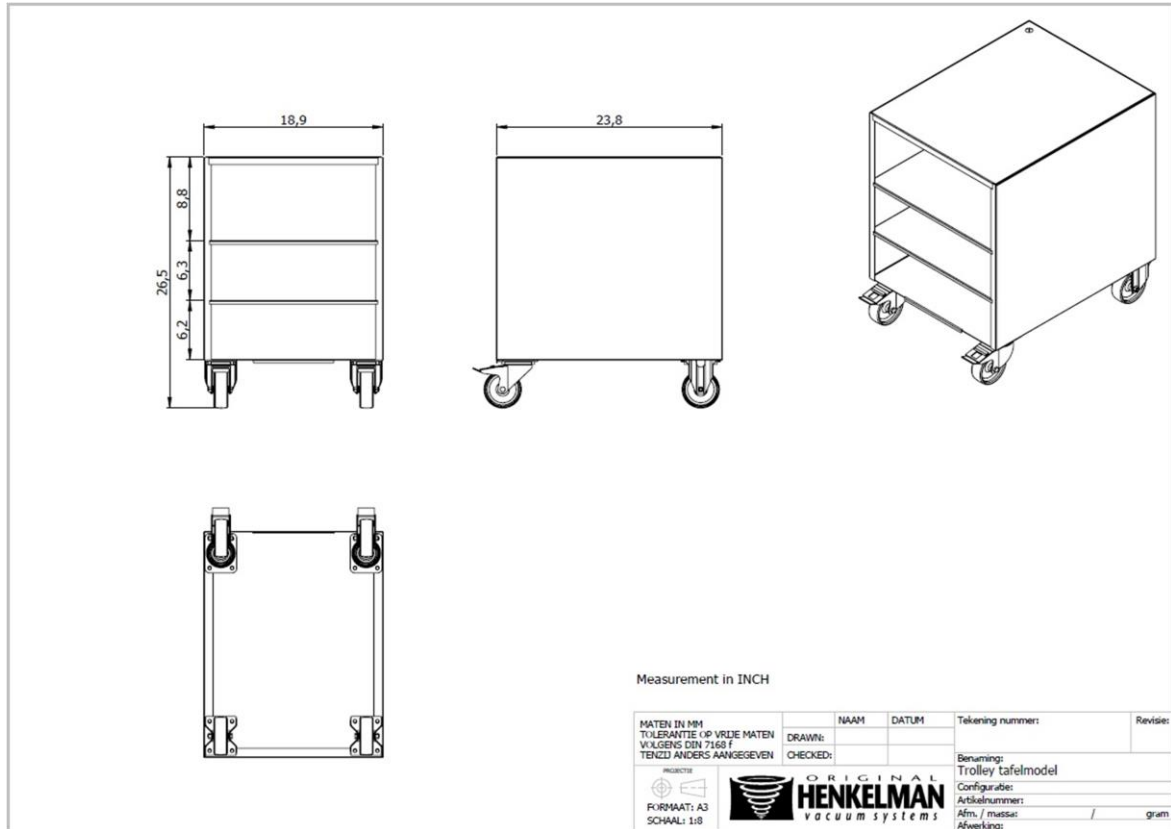
HENKELMAN INC

HENKELMAN CART WITH CASTORS – SPECS

CART WITH CASTORS – SPEC SHEET

DIMENSIONS

In inches



	L x W x H	L x W x H (including castors)
Dimensions	23.8" x 18.9" x 21.3"	23.8" x 18.9" x 26.5"

HENKELMAN INC



FIT FOR FOOD SERVICE
WWW.HENKELMAN.COM

HENKELMAN INC.
493 W Fullerton Ave
Elmhurst IL, 60126

Sales and technical support
P +1 331 979 2013
F +1 630 359 3875
E info@henkelmanusa.com
Service and warranty
P +1 844 208 5685