



Project:
Item:
Quantity:

**POLAR 2-95 COMBIVAC
DOUBLE CHAMBER
VACUUM PACK MACHINE**



FEATURES

- Seal bar length: 2 x 43.3" (front-back)
- Available for free: 2 seal bars left-right
- Standard double seal (two wires)
- Available for free: Cut-off or Wide seal
- Seal bar system mounted in lid and easily removable for cleaning purposes
- **Standard Advanced Control (CombiVac)** with Sensor: max. 99.8% end vacuum
- Pump capacity: 12,713 cf/h (360 m³/h) Busch vacuum pump
- Pump maintenance and cleaning program
- Machine cycle: 15-40 sec
- Soft Air (gentle air return)
- Stainless steel lid, plate and exterior
- With insert plates for a faster cycle
- 16ft cord with NEMA 15-50P plug - 50A/250V

OPTIONS AND ACCESSORIES

- Preparation for external pump
- Automatic lid
- 1-2 Cut-off seal/Bi-active seal
- Gas flush
- Filler plate for lid (not icw Automatic lid)
- Inclined insert plate
- Digital control with 10 program memory and Sensor control
- Liquid Control
- Heating element for vacuum valve
- Heavy duty seal bars
- 2 seal bars (left-right)
- Zebra ZD410 thermal label printer (only icw standard CombiVac control)
- Service kit for standard maintenance

DESCRIPTION

The robust, stainless steel Polar 2-95 double chamber vacuum packaging machine is standard equipped with a Busch vacuum pump. This machine is ETL listed and complies with UL, CSA and CE standards.

WARRANTY

Henkelman Inc offers a warranty of 1 year on labor and 3 years on parts. For full warranty details, please refer to www.henkelman.com.

DATE

APPROVAL

HENKELMAN INC. Sales and technical support
493 W Fullerton Ave P +1 331 979 2013
Elmhurst IL, 60126 E info@henkelmanusa.com

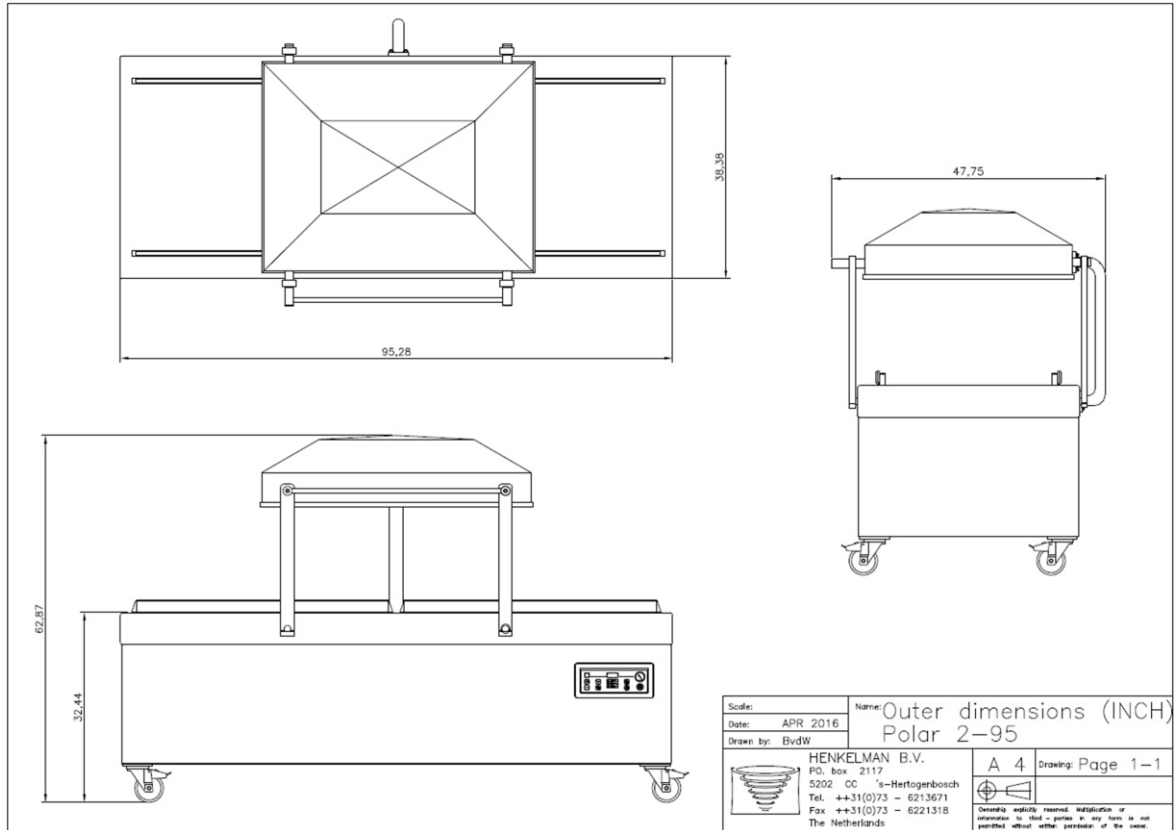
VACUUM PACKAGING MACHINE POLAR 2-95 COMBIVAC - SPEC SHEET

VACUUM PACKAGING MACHINE POLAR 2-95 COMBIVAC – SPECS

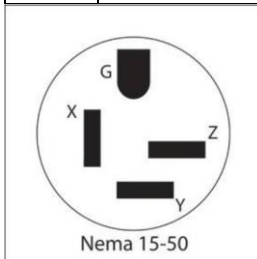
VACUUM PACKAGING MACHINE POLAR 2-95 COMBIVAC – SPEC SHEET

DIMENSIONS

In inches



Model	Dimensions (inches)		Volts	Amps	Hz	Pump capacity	HP	Plug	Weight (lbs)
	Chamber L x W x H (usable space in inch)	Machine L x W x H (in inch)							
Polar 2-95	28.7 x 43.3 x 11	47.7 x 95.3 x 62.8	208- 220V	37/ 44 C*	60Hz	12,713 ch/h (360 m ³ /h)	8.8	NEMA 15- 50P 50A/250V	1,510 (360 m ³ /h)



3 pole, 4 wire grounding 3 x 208 Volt

*This is the minimum fuse value with the recommended characteristic



HENKELMAN INC. Sales and technical support
493 W Fullerton Ave P +1 331 979 2013
Elmhurst IL, 60126 E info@henkelmanusa.com